

SONY

Car Stereo Service Bulletin

Sony Service Company - Technical Services
A Division of Sony Corporation of America
Sony Drive, Park Ridge, New Jersey 07656

Model: CDX-5040/5080

No. 212

Subject: Part Number Addition: Walkman Input Dust Cover

Date: September 20, 1991

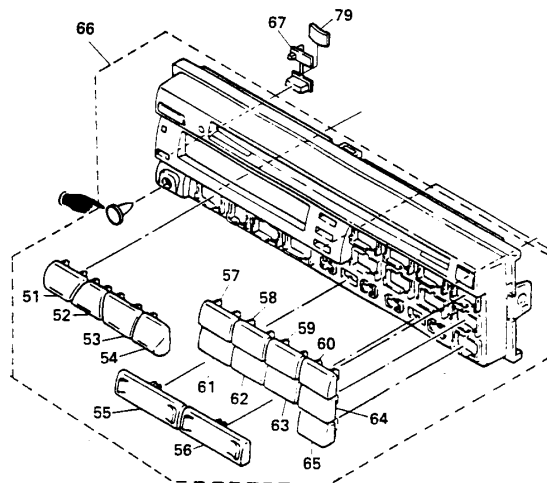
Symptom:
(**)

The part number for the walkman input jack dust cover was omitted from the Service Manual.

Solution:

Please add the following part information to your Service Manual:

DESCRIPTION	PART NUMBER
COVER, (WM)	3-368-115-01



Reference: FPR M2212

PRINTED IN U.S.A.
CSA-14991-2

Compact Disc
CSA-14